

Liability Release

The purchaser of this product agrees that the manufacturer of this product has no responsibility or liability for errors in installation and/or resulting injury and/or accidents resulting from or associated with use and/or installation of this product.

Purchaser agrees to release manufacturer from any and all liability for personal injuries including death and property losses or damage occasioned by, or in connection with any activity or accommodations for use and/or installation of this product, either professionally installed or self installed.

Purchaser furthermore agrees to hold harmless and indemnify said manufacturer organization(s) its directors, employees and agents, for any liability sustained by use and/or modifications of product or vehicle, including claims for damages, losses, injuries, and expenses arising out of or resulting from use of product.



1907 Woodland Ave.
Coffeyville, KS 67337
Phone: (620) 251-9100
Fax: (620) 251-2622

INSTALLATION INSTRUCTIONS FOOT REST

FOR TJ, RUBICON, UNLIMITED &
RUBICON UNLIMITED

JFTJ150

2004 MODEL AND PRIOR

1. On the drivers side of the vehicle locate the (2) studs protruding from the firewall into the passenger compartment. These should be approximately 5" above the firewall/floor seam directly behind the brake and clutch pedals. Remove the plastic caps that are covering the studs.
2. Align the firewall bracket (A) so that the left stud protrudes through the hole located between the footrest "tabs". Place (1) flat washer (F) and (1) nyloc nut (G) on the left stud. Tighten the nut just enough for it to hold the firewall bracket on the stud.
3. Place the "slotted" end of the firewall bracket (A) over the right stud. Place (1) flat washer (F) and (1) nyloc nut (G) on the right stud. Tighten both nyloc nuts, be careful not to overtighten causing the studs to detach from the firewall.

4. NOTE: If the stud should detach from the firewall you will have to drill a hole through the firewall where the stud was located, securing the bracket to the firewall with a sheet metal screw that is provided.

5. Align the footrest pedal (B) between the two footrest tabs. Slide the 1/4" x 3 1/2" bolt (C) with flatwasher (D) through the right footrest tab through the footrest pedal (B) and through the left footrest tab. Place (1) flatwasher (F) and (1) 1/4" nyloc nut (E) on the left end of the pivot bolt (C). DO NOT overtighten this bolt as it will prohibit the pedal from being able to be raised off the floor allowing removal of mat or carpet. Also, over tightening can cause the firewall studs to be detached from the firewall.

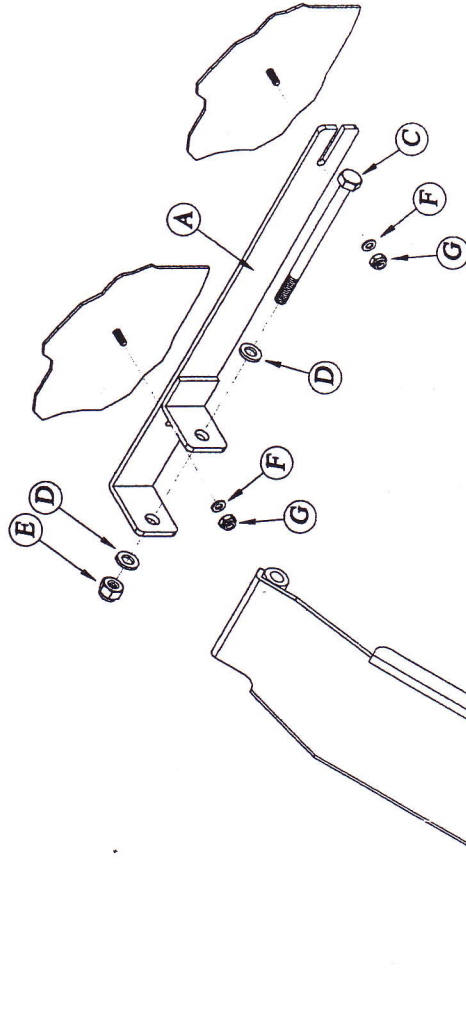


FIG. 1 INSTALLATION 2004 MODEL AND PRIOR

2005 & 2006 MODELS

- 2005 & 2006 model years will require drilling (2) holes through the firewall. Use the firewall bracket as a template. Drill the first hole 1 3/4" directly right from center of the rubber gromm located 3" from the left kick-panel and 5" above the firewall/floor seam. Drill the second hole 11 3/8" directly right on the center of the above mentioned rubber grommet.

These holes should align with the hole and slotted end of the firewall bracket. Attach firewall bracket to the firewall with (2) 1/8" sheet metal screws (H) provided.

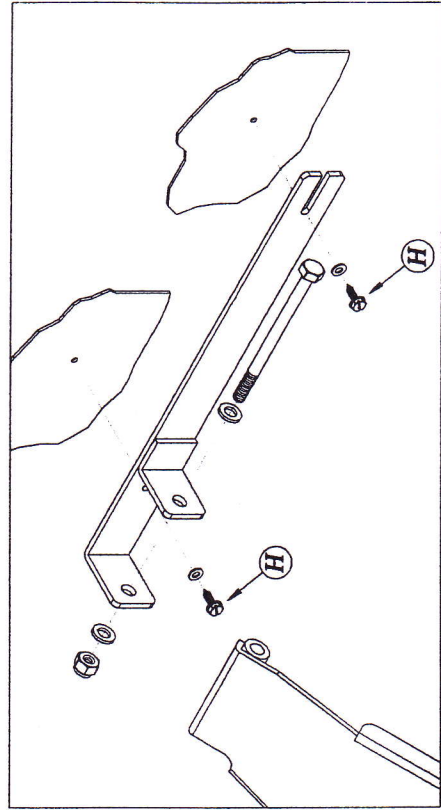


FIG. 2 ALTERNATE INSTALLATION FOR 2005 & 2006 MODELS

Phone: (620) 251-9100

www.misch4x4.com

Fax: (620) 251-2622