

## **Liability Release**

The purchaser of this product agrees that the manufacturer of this product has no responsibility or liability for errors in installation and/or resulting injury and/or accidents resulting from or associated with use and/or installation of this product.

Purchaser agrees to release manufacturer from any and all liability for personal injuries including death and property losses or damage occasioned by, or in connection with any activity or accommodations for use and/or installation of this product, either professionally installed or self installed.

Purchaser furthermore agrees to hold harmless and indemnify said manufacturer organization(s) its directors, employees and agents, for any liability sustained by use and/or modifications of product or vehicle, including claims for damages, losses, injuries, and expenses arising out of or resulting from use of product.



1907 Woodland Ave.  
Coffeyville, KS 67337  
Phone: (620) 251-9100  
Fax: (620) 251-2622

# INSTALLATION INSTRUCTIONS

## JK MODEL SHELF

FOR THE JK MODEL JEEP  
JSJK150P

1. Remove both Freedom Tops to allow better access to roll bars and windshield foot loop. Turn sunvisors down against inside of windshield.
2. Place the 1" x 11 1/2" elastomer blended polyethylene attachment strap (B) around the side roll bars attaching the straps to each side of shelf (A) with a 5/16" x 1 1/2" button head bolt (C), two 5/16" flat washers (D) and one 5/16" nyloc nut (E) provided. Do not tighten hardware.
3. Attach center bracket (I) to windshield loop utilizing slip joint (J) and 3/16" nyloc nuts (K) as shown in Fig. 2 & 3. Do not tighten hardware.
4. Slide shelf forward toward windshield until slip joint bracket (J) lines up with corresponding mounting hole in shelf. When installing shelf in 2008 model and prior use furthest right side hole and when installing in 2009 model and later use the furthest left hole. Attach center bracket (I) to shelf using the 1/4" pan head screw (F) 1/4" flat washers (G) and 1/4" nyloc nut (H) provided.
5. Tighten all remaining hardware at this time. Insert hole plug (L) provided into unused center bracket mounting hole. Place the provided non-skid shelf lining into completed shelf.
6. Mount one of the furnished 1" self-adhesed bump-stop pads to each sunvisor at the point where the sunvisor, in the up position, will touch the bottom of the shelf.

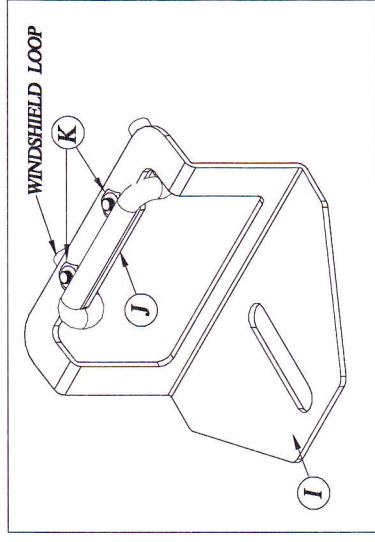


FIG. 3 JK MODEL SHELF CLIP DETAIL

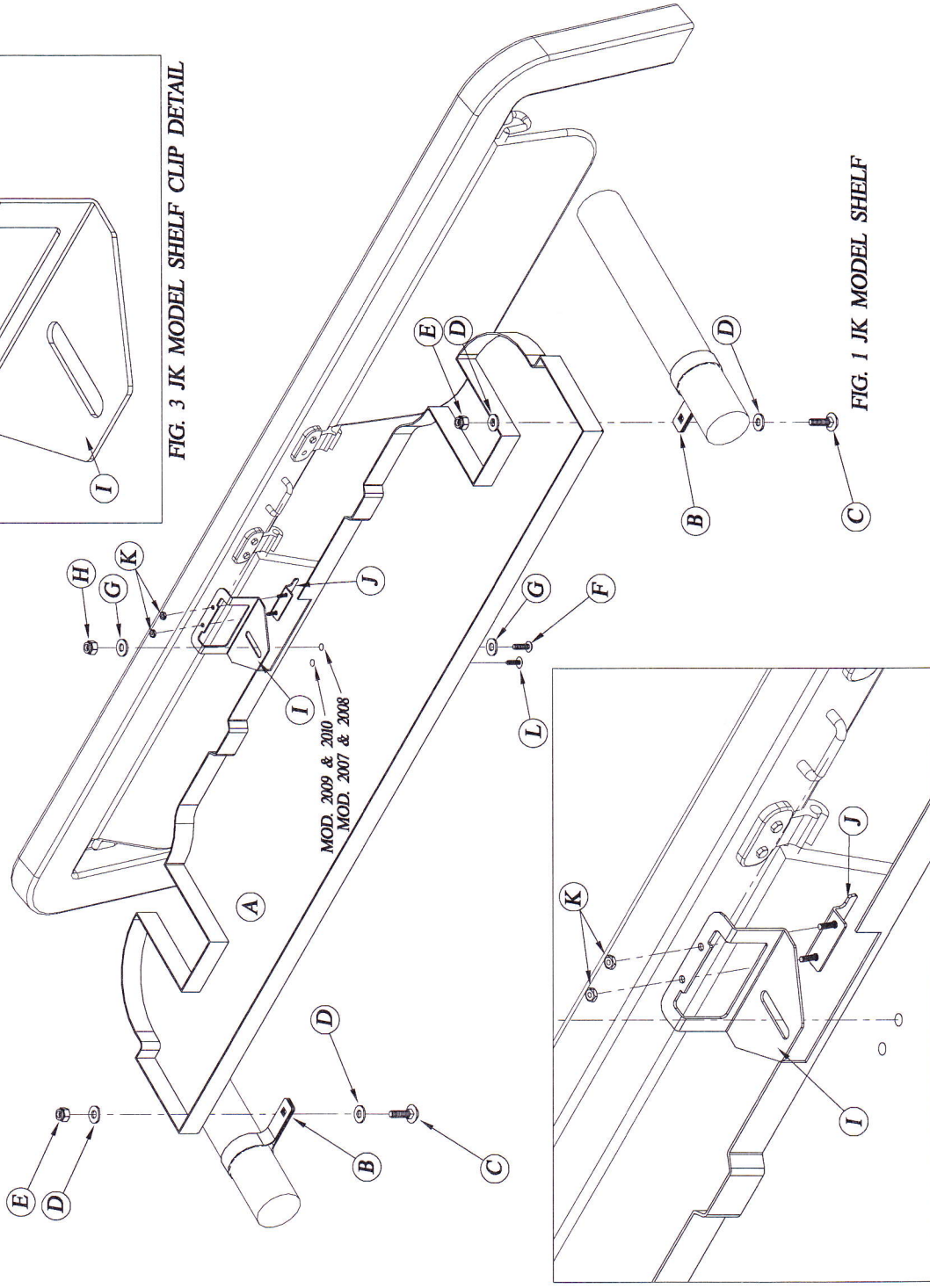


FIG. 1 JK MODEL SHELF

FIG. 2 JK MODEL SHELF