

## **Liability Release**

The purchaser of this product agrees that the manufacturer of this product has no responsibility or liability for errors in installation and/or resulting injury and/or accidents resulting from or associated with use and/or installation of this product.

Purchaser agrees to release manufacturer from any and all liability for personal injuries including death and property losses or damage occasioned by, or in connection with any activity or accommodations for use and/or installation of this product, either professionally installed or self installed.

Purchaser furthermore agrees to hold harmless and indemnify said manufacturer organization(s) its directors, employees and agents, for any liability sustained by use and/or modifications of product or vehicle, including claims for damages, losses, injuries, and expenses arising out of or resulting from use of product.



1907 Woodland Ave.  
Coffeyville, KS 67337  
Phone: (620) 251-9100  
Fax: (620) 251-2622

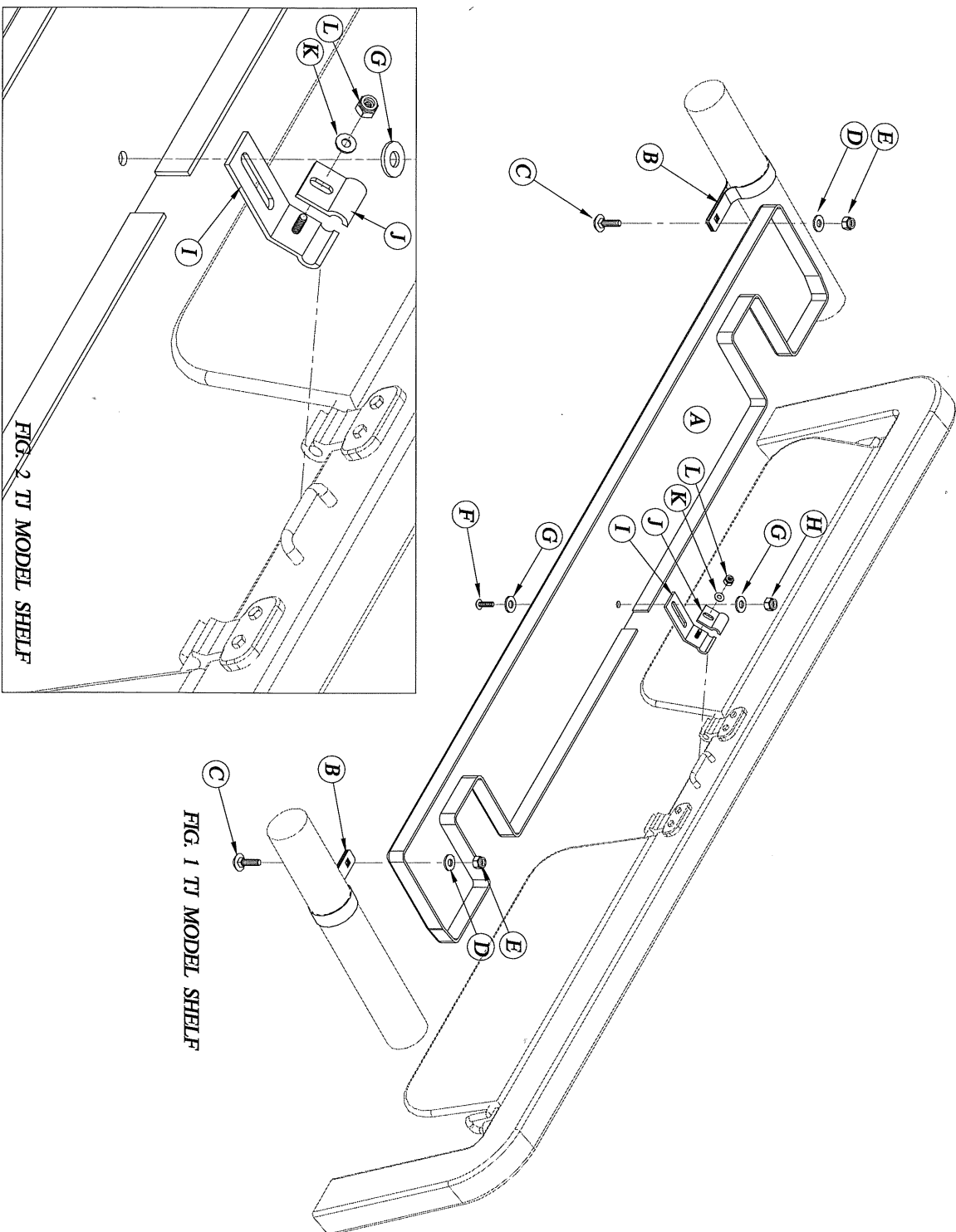
# INSTALLATION INSTRUCTIONS

## TJ MODEL SHELF

### FOR THE TJ MODEL JEEP

1997-2002

1. Turn survivors down against inside of windshield.
2. Assemble center bracket assembly by attaching slip joint bracket (J) to center bracket (I) using 3/16" flat washer (K) and 3/16" nyloc nut (L) according to fig. 2. Attach center bracket assembly to the loop at the top center of windshield frame according to fig. 2.
3. Open the circular brackets (B) and slip around side roll bars attaching the circular brackets to each side of the shelf (A) with the 5/16" x 3/4" carriage bolt (C), 5/16" flat washer (D), and 5/16" nyloc nut (E) provided. Do not tighten hardware.
4. Slide shelf forward until center bracket (I) aligns with hole in shelf. Attach center bracket assembly to shelf (A) using 1/4" pan head screw (F), 1/4" flat washers (G), and 1/4" nyloc nut (H).
5. Tighten all remaining hardware at this time. Place the provided non-skid shelf lining into completed shelf.



Phone: (620) 251-9100

www.misch4x4.com

Fax: (620) 251-2622