

## **Liability Release**

The purchaser of this product agrees that the manufacturer of this product has no responsibility or liability for errors in installation and/or resulting injury and/or accidents resulting from or associated with use and/or installation of this product.

Purchaser agrees to release manufacturer from any and all liability for personal injuries including death and property losses or damage occasioned by, or in connection with any activity or accommodations for use and/or installation of this product, either professionally installed or self installed.

Purchaser furthermore agrees to hold harmless and indemnify said manufacturer organization(s) its directors, employees and agents, for any liability sustained by use and/or modifications of product or vehicle, including claims for damages, losses, injuries, and expenses arising out of or resulting from use of product.



1907 Woodland Ave.  
Coffeyville, KS 67337  
Phone: (620) 251-9100  
Fax: (620) 251-2622

## INSTALLATION INSTRUCTIONS JK REMOVEABLE TOPS STORAGE TOTE

### 2-DOOR JK MODEL INSTRUCTIONS

1. Locate the two Velcro strips (A) on the top back panel of the tote. Engage the Velcro with the carpet at the highest possible point on the back of the rear seat.
2. Attach the two retaining straps (B) to the roll bars located on either side of the rear seat. Make sure that the retaining straps go between the roll bars and the seat belts that run along side of the roll bars.
3. Open the tote by unzipping with the two zipper pulls you will find at the top center of the tote. Unlatch the two Velcro retaining strips (D) located at the top of the padded divider (E). Allow the tote to open completely.
4. Place the driver's side top panel in the tote. Use the tote as a guide to insure that the top is placed in the tote properly. The black side of the top should be facing the rear of the JK.
5. Place the divider (E) next to the driver's side top securing it in place with the two Velcro strips (D).

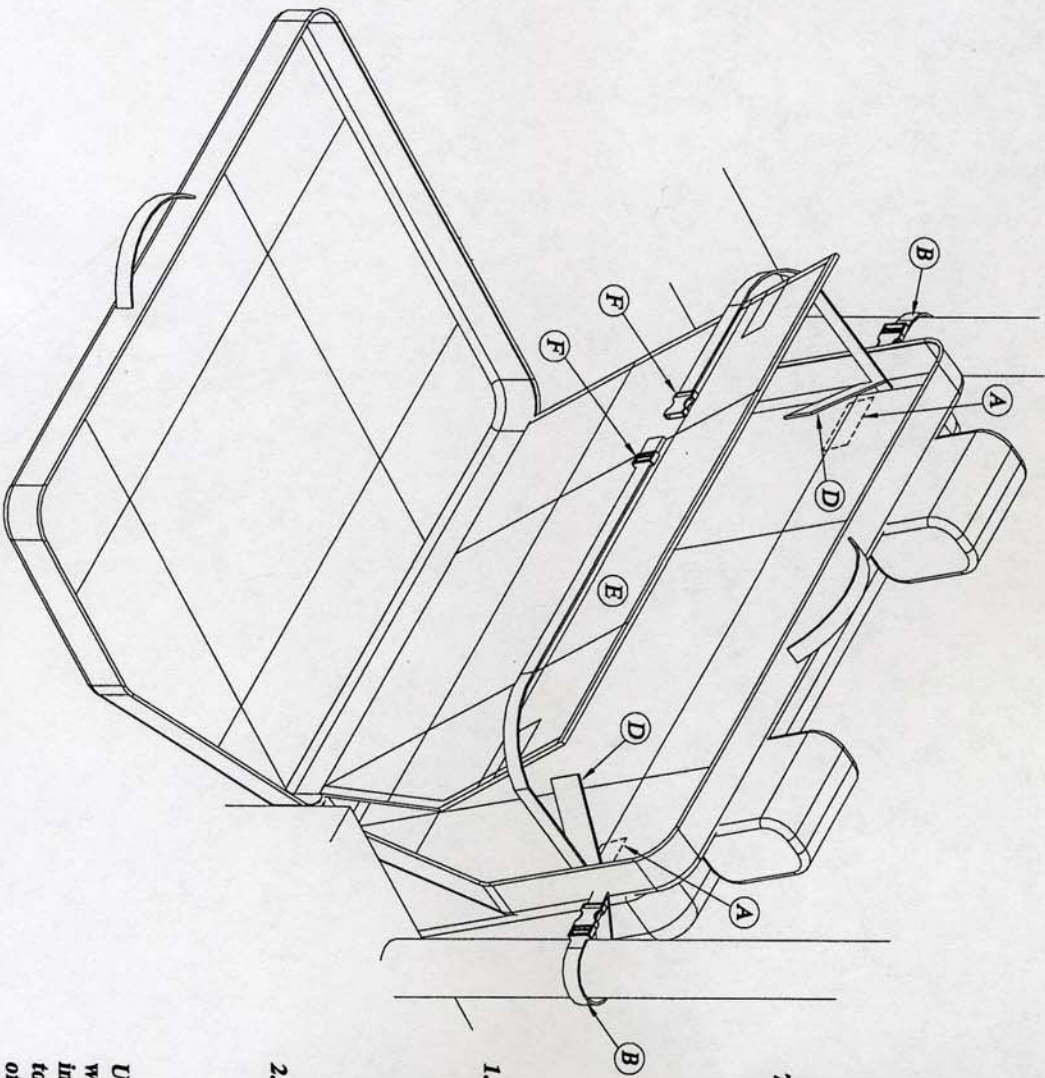


FIG. 1 2-DOOR JK MODEL INSTALLATION

6. Place the passenger's side top panel in the tote. The divider (E) must always be kept between the two top panels to keep them from touching each other. Secure the passenger's side top in place within the bag with the holding strap (F). Tighten the holding strap (F) to hold both tops, divider & tote to the roll bars.
  7. Zip the tote closed using the two zipper pulls. The tote can be removed from the JK by releasing the two straps (B) and carrying the tote with the two handles at the top of the tote.
- TO ATTACH DIRECTLY  
BEHIND FRONT SEATS**
1. Attach the two retaining straps (B) to the roll bars located on either side of the front seats. Make sure the retaining straps go between the roll bars and the seat belts that run along side of the roll bars.
  2. Continue with steps 3 through 7 above.

### 4-DOOR JK MODEL INSTRUCTIONS

Use same instructions as when using with 2-door except referring to instruction 2. attach the retaining straps to the roll bars that are directly in front of the sound/interior light bar, one on the right and one on the left.

Phone: (620) 251-9100

www.misch4x4.com

Fax: (620) 251-2622

## Additional Instructions for **Storing** the Top Storage Tote When **Not** In Use

Additional retaining straps have been added to the Tote that is not shown on the enclosed instruction sheet; this allows the Tote to be stored up next to the inside top of the JK, out of the way and out of sight.

1. Two (2) straps with fasteners have been added to the outside center of the Tote to allow for the Tote to be folded and held into a tri-fold position when not in use.
- 2) Four (4) straps with fasteners and adjoining straps with loops and fasteners, have been added to the Tote so when the tote is folded into the tri-fold position for storage it can be held in place between the two side roll bars in the rear part of the JK, directly behind the sound bar. When the looped straps are placed around the roll bars the Tote can be attached, using the appropriate fasteners on the Tote, to the straps around the roll bars. When attaching the Tote to the roll bar straps, make sure the fasteners are facing the floor of the JK (down), not the top (up).